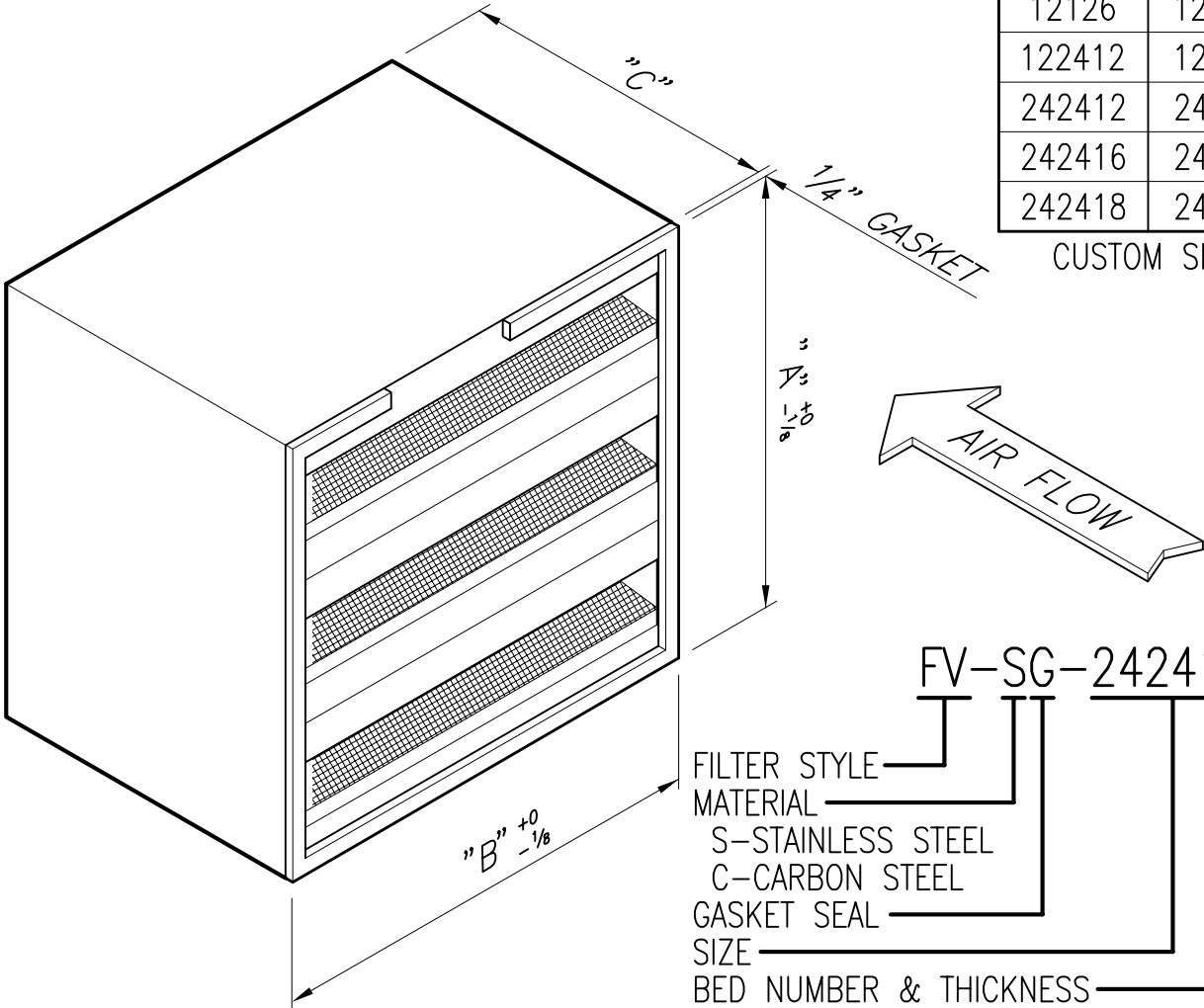


REVISION	DATE	DWN.	CHK'D	APP'D	DESCRIPTION
A					

STANDARD SIZES (NOMINAL)			
SIZE	"A"	"B"	"C"
12126	12"	12"	6"
122412	12"	24"	12"
242412	24"	24"	12"
242416	24"	24"	16"
242418	24"	24"	18"

CUSTOM SIZES AVAILABLE



FV-SG-242416-42/787

FILTER STYLE \_\_\_\_\_  
MATERIAL \_\_\_\_\_  
S-STAINLESS STEEL  
C-CARBON STEEL  
GASKET SEAL \_\_\_\_\_  
SIZE \_\_\_\_\_  
BED NUMBER & THICKNESS \_\_\_\_\_  
42- 4-2"THICK BEDS  
62- 6-2"THICK BEDS  
X1- 10-1"THICK BEDS  
CARBON TYPE \_\_\_\_\_

THIS DRAWING REMAINS THE EXCLUSIVE PROPERTY OF CALGON CARBON CORP.. ALL AUTHORIZED COPIES ARE LOANED IN GOOD FAITH AND SUBJECT TO RETURN UPON REQUEST. ANY FURTHER REPRODUCTION WITHOUT THE CONSENT OF CALGON CARBON CORP. IS THEREBY PROHIBITED.

DRAWN	M	5.14.8
CHECKED	MD	5-14-08
APPROVED	MD	5-14-08



TOLERANCES		CUSTOMER: CALGON STANDARD PART			
FRACTIONAL	-	TITLE SALES INFORMATION			
.XX	-	FV-SG CARBON ADSORBER			
.XXX	-	SCALE NONE	SIZE A	DRAWING NUMBER	REV.
ANGULAR	-	SHEET 1 of 1		FVSGFILTER	.