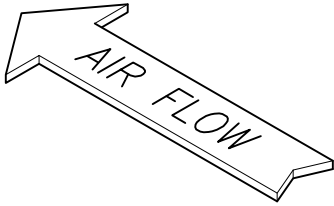
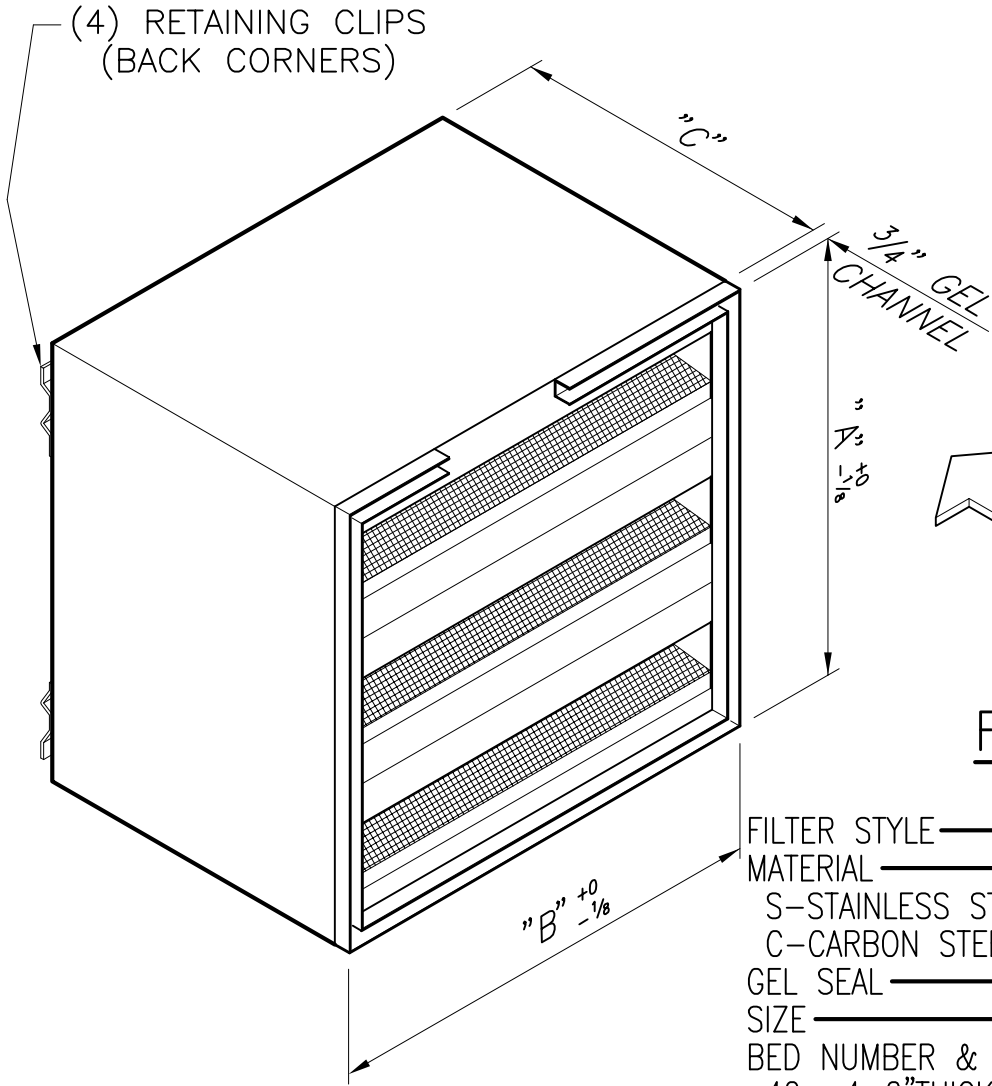


REVISION	DATE	DWN.	CHK'D	APP'D	DESCRIPTION
A					

STANDARD SIZES (NOMINAL)			
SIZE	"A"	"B"	"C"
12126	12"	12"	6"
122412	12"	24"	12"
242412	24"	24"	12"
242416	24"	24"	16"
242418	24"	24"	18"

CUSTOM SIZES AVAILABLE



FV-SK-242416-42/787

- FILTER STYLE _____
- MATERIAL _____
- S-STAINLESS STEEL
- C-CARBON STEEL
- GEL SEAL _____
- SIZE _____
- BED NUMBER & THICKNESS _____
- 42- 4-2"THICK BEDS
- 62- 6-2"THICK BEDS
- X1- 10-1"THICK BEDS
- CARBON TYPE _____

THIS DRAWING REMAINS THE EXCLUSIVE PROPERTY OF CALGON CARBON CORP.. ALL AUTHORIZED COPIES ARE LOANED IN GOOD FAITH AND SUBJECT TO RETURN UPON REQUEST. ANY FURTHER REPRODUCTION WITHOUT THE CONSENT OF CALGON CARBON CORP. IS THEREBY PROHIBITED.

DRAWN	M	5.14.8
CHECKED	MD	5-14-08
APPROVED	MD	5-14-08



TOLERANCES		CUSTOMER: CALGON STANDARD PART			
FRACTIONAL	-	TITLE SALES INFORMATION			
.XX	-	FV-SK CARBON ADSORBER			
.XXX	-	SCALE NONE	SIZE A	DRAWING NUMBER	REV.
ANGULAR	-	SHEET 1 of 1		FVSKFILTER	.