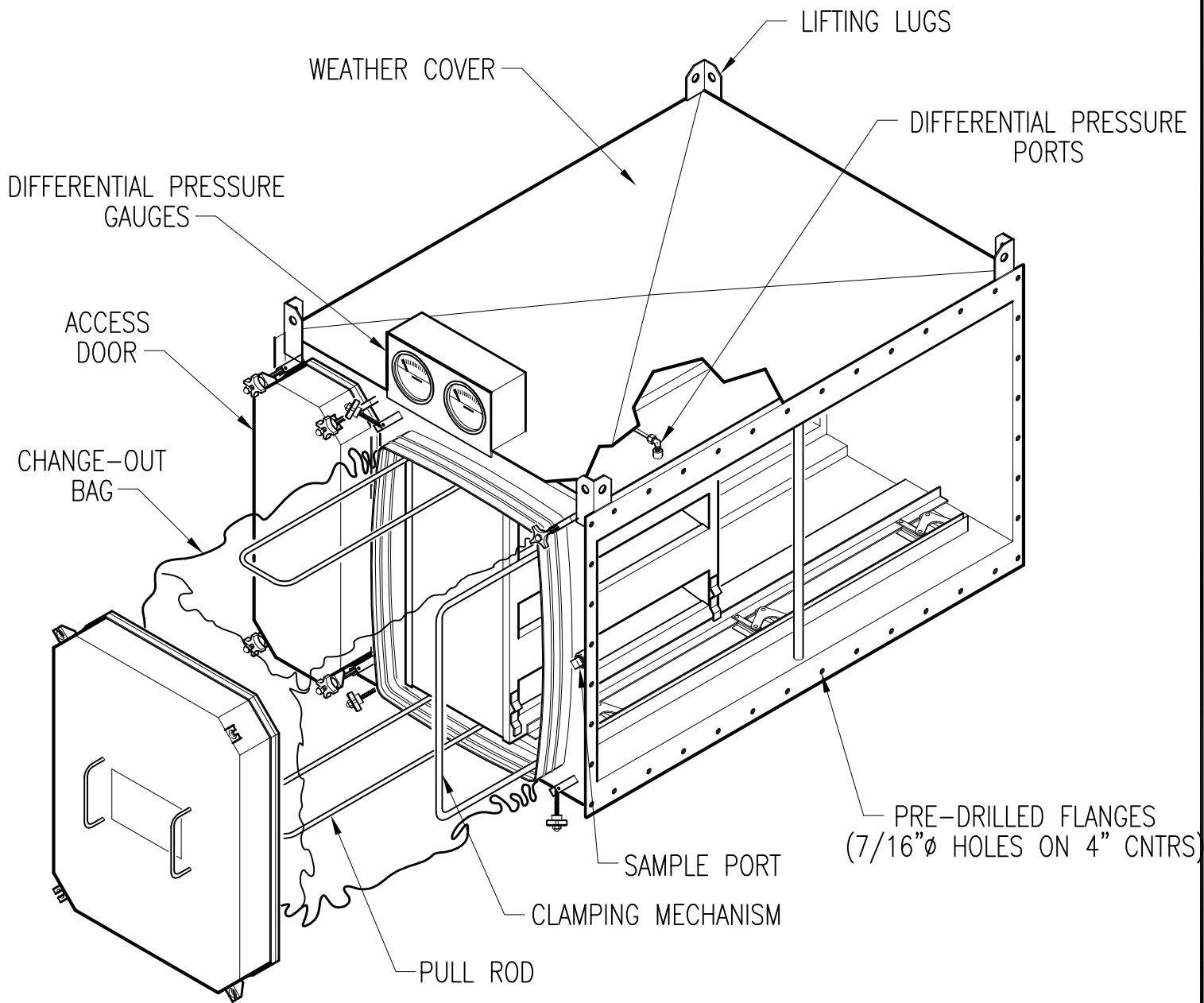


REVISION	DATE	DWN.	CHK'D	APP'D	DESCRIPTION
△					



THIS DRAWING REMAINS THE EXCLUSIVE PROPERTY OF CALGON CARBON CORP.. ALL AUTHORIZED COPIES ARE LOANED IN GOOD FAITH AND SUBJECT TO RETURN UPON REQUEST. ANY FURTHER REPRODUCTION WITHOUT THE CONSENT OF CALGON CARBON CORP. IS THEREBY PROHIBITED.

DRAWN	M	5.7.8
CHECKED	MD	5-8-08
APPROVED	MD	5-8-08



TOLERANCES		CUSTOMER: CALGON STANDARD PART			
FRACTIONAL	-	TITLE SALES INFORMATION			
.XX	-	KEP HOUSING WITH OPTIONS			
.XXX	-	SCALE 1.5"=1'-0"	SIZE	DRAWING NUMBER	REV.
ANGULAR	-	SHEET 1 of 1	A	KEPHOUSING	.