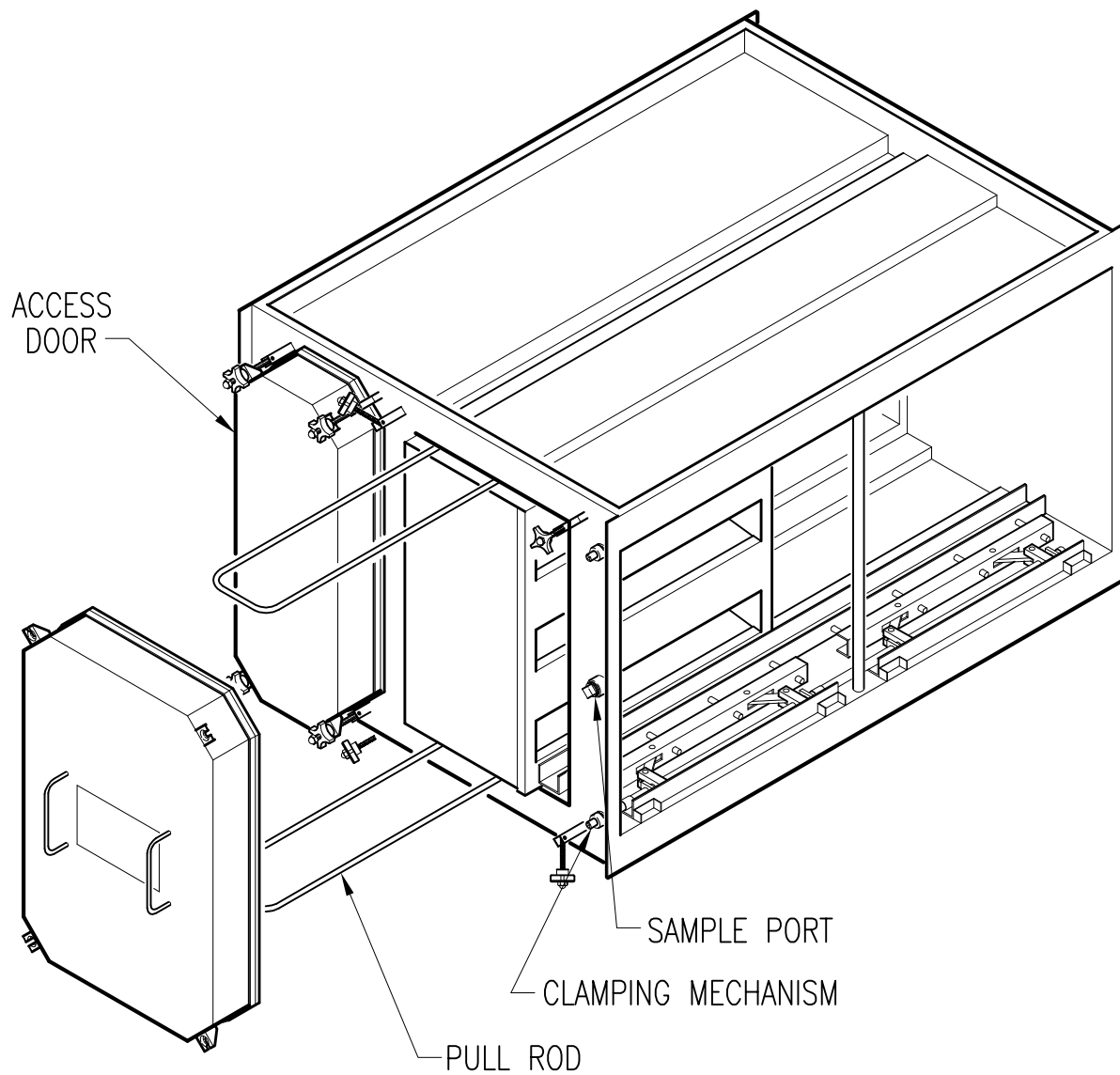


| REVISION | DATE | DWN. | CHK'D | APP'D | DESCRIPTION |
|----------|------|------|-------|-------|-------------|
| A | | | | | |



THIS DRAWING REMAINS THE EXCLUSIVE PROPERTY OF CALGON CARBON CORP.. ALL AUTHORIZED COPIES ARE LOANED IN GOOD FAITH AND SUBJECT TO RETURN UPON REQUEST. ANY FURTHER REPRODUCTION WITHOUT THE CONSENT OF CALGON CARBON CORP. IS THEREBY PROHIBITED.

| | | |
|----------|----|--------|
| DRAWN | M | 5.7.8 |
| CHECKED | MD | 5-8-08 |
| APPROVED | MD | 5-8-08 |



| | | | | | |
|------------|---|--------------------------------|------|----------------|------|
| TOLERANCES | | CUSTOMER: CALGON STANDARD PART | | | |
| FRACTIONAL | - | TITLE | | | |
| .XX | - | SALES INFORMATION | | | |
| .XXX | - | BASIC SSP HOUSING | | | |
| ANGULAR | - | SCALE 1.5"=1'-0" | SIZE | DRAWING NUMBER | REV. |
| | | SHEET 1 of 1 | A | SSPHOUSING | . |

| | | | |
|----------------------------|------------------|-------------|-------------|
| FILE: \Acad\PurAir\01\CM0M | PLOT: 7.75,10.25 | ORIGIN: 0,0 | FACTOR: 1=8 |
|----------------------------|------------------|-------------|-------------|