

REVISION	DATE	DWN.	CHK'D	APP'D	DESCRIPTION
△					

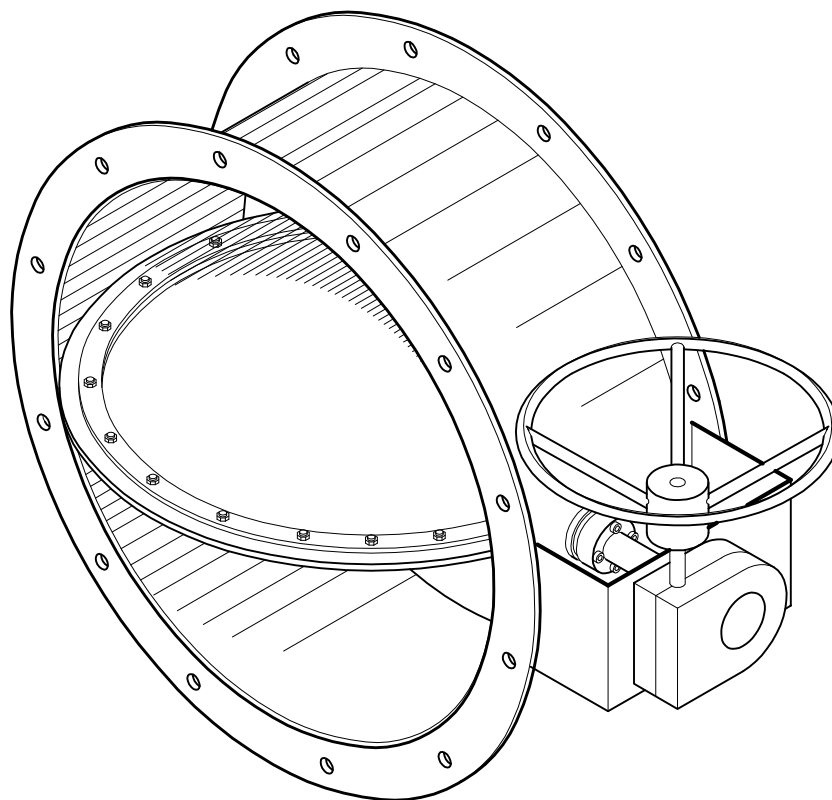
NOTES;

- 1.) MATERIAL- 304/316 STAINLESS STEEL.
- 2.) MANUAL ACTUATOR IS SHOWN. ELECTRIC AND PNEUMATIC ACTUATORS ALSO AVAILABLE.
- 3.) BOTH STANDARD AND CUSTOM FLANGES AVAILABLE.
- 4.) UNITS ARE BUBBLE TIGHT TO 20"W.C.


SIZES AVAILABLE;

- 6"
- 8"
- 10"
- 12"
- 14"
- 16"
- 18"
- 20"
- 24"
- 26"
- 30"
- 36"
- 40"

PLUS MANY CUSTOM SIZES AVAILABLE.



THIS DRAWING REMAINS THE EXCLUSIVE PROPERTY OF CALGON CARBON CORP.. ALL AUTHORIZED COPIES ARE LOANED IN GOOD FAITH AND SUBJECT TO RETURN UPON REQUEST. ANY FURTHER REPRODUCTION WITHOUT THE CONSENT OF CALGON CARBON CORP. IS THEREBY PROHIBITED.

DRAWN	M	5.7.8	 CALGON CARBON CORPORATION			
CHECKED	MD	5-8-08				
APPROVED	MD	5-8-08				
TOLERANCES			CUSTOMER: CALGON STANDARD PART			
FRACTIONAL	-		TITLE <u>SALES INFORMATION</u>			
.XX	-		<u>BTDD DAMPER</u>			
.XXX	-		SCALE 1.5"=1'-0"	SIZE	DRAWING NUMBER	REV.
ANGULAR	-		SHEET 1 of 1	A	BTDDAMPER	.
FILE: \Acad\PurAir\01\CM0M			PLOT: 7.75,10.25	ORIGIN: 0,0	FACTOR: 1=8	