
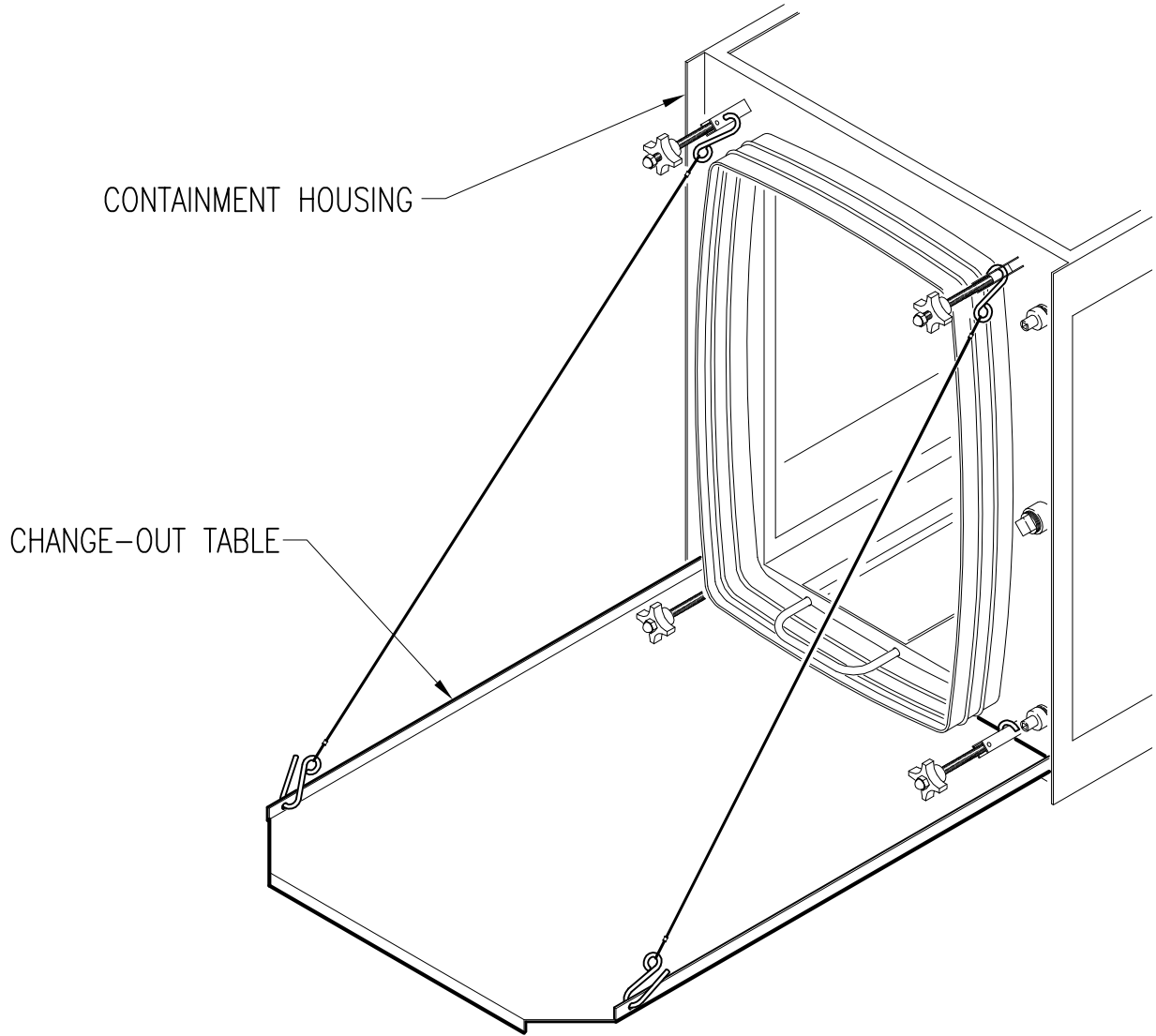


REVISION	DATE	DWN.	CHK'D	APP'D	DESCRIPTION
					



THIS DRAWING REMAINS THE EXCLUSIVE PROPERTY OF CALGON CARBON CORP.. ALL AUTHORIZED COPIES ARE LOANED IN GOOD FAITH AND SUBJECT TO RETURN UPON REQUEST. ANY FURTHER REPRODUCTION WITHOUT THE CONSENT OF CALGON CARBON CORP. IS THEREBY PROHIBITED.

DRAWN		5.7.8
CHECKED	MD	5-8-08
APPROVED	MD	5-8-08



TOLERANCES		CUSTOMER: CALGON STANDARD PART			
FRACTIONAL	-	TITLE SALES INFORMATION <u>CHANGE-OUT TABLE</u>			
.XX	-	SCALE 1.5"=1'-0"	SIZE A	DRAWING NUMBER CHANGETABLE	REV. .
.XXX	-				
ANGULAR	-	SHEET 1 of 1			

FILE: \Acad\PurAir\01\CM0M	PLOT: 7.75,10.25	ORIGIN: 0,0	FACTOR: 1=8
----------------------------	------------------	-------------	-------------