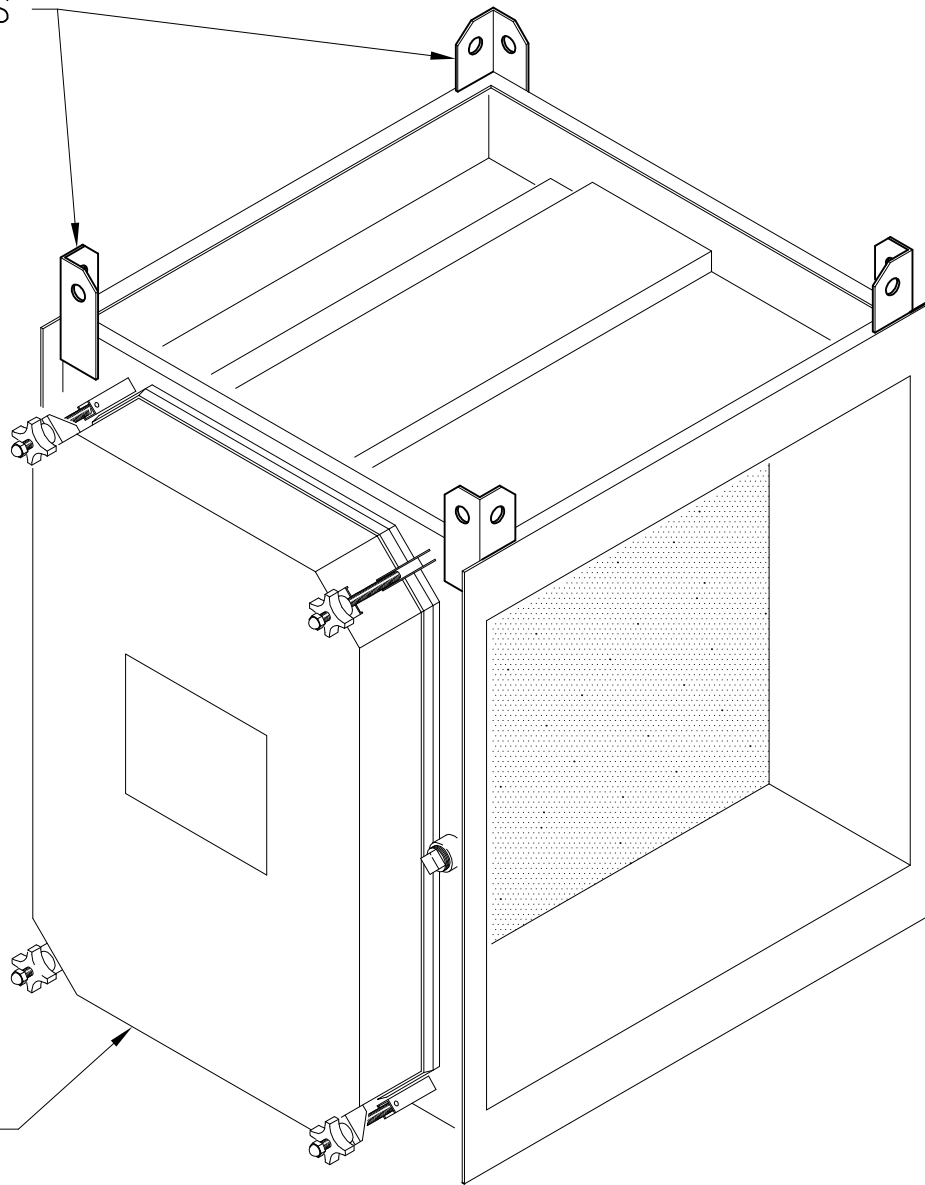


REVISION	DATE	DWN.	CHK'D	APP'D	DESCRIPTION
△					

LIFTING LUGS



CONTAINMENT HOUSING

THIS DRAWING REMAINS THE EXCLUSIVE PROPERTY OF CALGON CARBON CORP.. ALL AUTHORIZED COPIES ARE LOANED IN GOOD FAITH AND SUBJECT TO RETURN UPON REQUEST. ANY FURTHER REPRODUCTION WITHOUT THE CONSENT OF CALGON CARBON CORP. IS THEREBY PROHIBITED.

DRAWN	M	5.7.8
CHECKED	MD	5-8-08
APPROVED	MD	5-8-08



TOLERANCES		CUSTOMER: CALGON STANDARD PART			
FRACTIONAL	-	TITLE		SALES INFORMATION	
.XX	-	LIFTING LUGS			
.XXX	-	SCALE 1.5"=1'-0"	SIZE	DRAWING NUMBER	REV.
ANGULAR	-	SHEET 1 of 1	A	LIFTINGLUGS	.

FILE: \Acad\PurAir\01\CM0M	PLOT: 7.75,10.25	ORIGIN: 0,0	FACTOR: 1=8
----------------------------	------------------	-------------	-------------