

ISOLATION DAMPERS BUBBLE TIGHT SERIES (BTD)



The Calgon Carbon Corporation Bubble Tight Isolation Damper (BTD) is designed for the isolation of filtration systems or environmental emission control equipment during change-out, decontamination, shut-down, and/or testing services. Damper operation can be manual, pneumatic or electric.

Equipment and Systems

Visit our website at www.calgoncarbon.com, or call 800-422-7266 to learn more about our complete range of products and services, and obtain local contact information.

ISOLATION DAMPERS BUBBLE TIGHT SERIES (BTD)

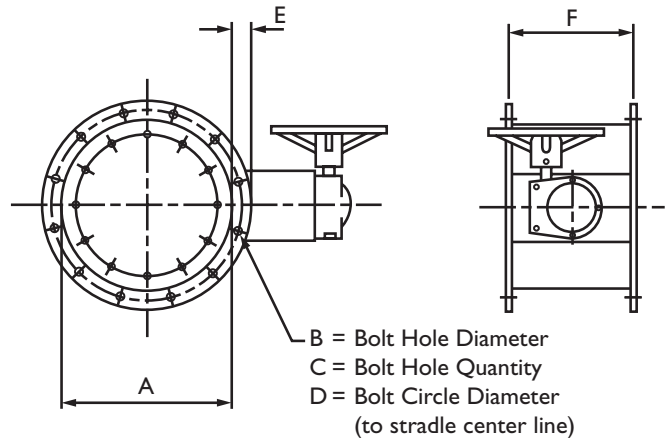
Dimensional Chart

A	B	C	D	E	F	G
Inside Diameter (inches)	Bolt Hole Diameter (inches)	Bolt Hole Quantity	Bolt Hole Circle Diameter (inches)	Flange (inches)	Width (inches)	Approx. Weight (lbs.)
6	7/16	8	8	1 1/2	6	20
8	7/16	8	10	1 1/2	9	32
10	7/16	12	12	1 1/2	9	40
12	7/16	12	13 3/4	1 1/2	9	46
14	7/16	12	16	1 1/2	9	52
16	7/16	16	18	1 1/2	9	58
18	7/16	16	20	1 1/2	9	64
20	9/16	20	23	2	9	70
24	9/16	24	27	2	9	90
30	9/16	24	32 1/2	2	12	140
36	9/16	32	38 1/2	2	12	200
42	9/16	36	44 1/2	2	12	280

Design Specifications

- Isolation damper shall be a Calgon Carbon Corporation Series BTD.
- Damper diameter shall be ___ inches.
- Shaft diameter shall be 1 inch.
- Damper shall be constructed of stainless steel grade 304, with a single blade mounted to a shaft, with a fabricated flange frame.
- Damper shall contain a full circumference silicone blade seal which is retained by a steel clamp ring fastened by hex nuts.
- Damper shall function effectively over a temperature range of -50°F to 400°F.
- Blade seal shall be field-adjustable and replaceable.
- Shaft shall be supported in self-lubricating TFE lined filament wound bearings mounted external to the damper frame with O-ring shaft seals.
- Operation shall be by means of a ___ manual hand-wheel, ___ electric actuator or ___ pneumatic actuator. (check only one item)
- BTD shall meet the Bubble Method of leak detection required of a Class I damper, as specified by ASME N510-1989.

Standard Hand-Operated BTD



Available Options

- Stainless steel grade 316
- Electric actuator
- Pneumatic actuator
- Contact factory for additional sizes

Visit our website at www.calgoncarbon.com



CALGON CARBON CORPORATION
 Calgon Carbon Corporation
 P.O. Box 717
 Pittsburgh, PA USA 15230-0717
 1-800-422-7266
 Tel: 412-787-6700
 Fx: 412-787-6713



European Operations of Calgon
 Carbon Corporation
 Zoning Industriel C de Feluy
 B-7181 Feluy, Belgium
 Tel: + 32 (0) 64 51 18 11
 Fx: + 32 (0) 64 54 15 91

Your local representative



ES-0012-0106

©Copyright 2006 Calgon Carbon Corporation, all rights reserved.